



**For Security**  
Fixed Focal

# YF4A-2

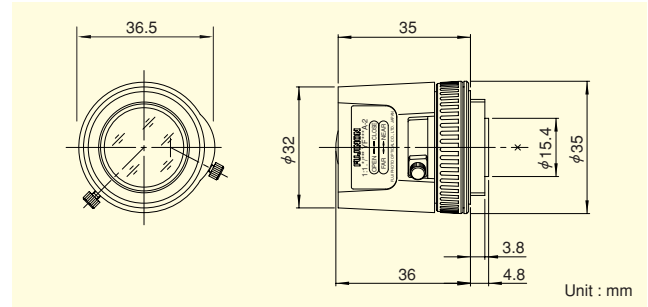
Applicable camera (model)

1	2/3	1/2	1/3	1/4
---	-----	-----	-----	-----

**FIXED** Fixed Focal    **MANUAL** Manual Iris    **CS-mt** CS Mount    **F1.2** Wide Aperture Rate



- Compact and lightweight design of 30g, best suited for built-in lenses
- Wide aperture of F1.2, optimizing the performance at low lighting intensity



Focal Length (mm)		4
Iris Range		F1.2 ~ Close
Operation	Focus	Manual
	Iris	Manual
Angle Of View (H×V)	1/3"	65°21' × 49°27'
	1/4"	49°27' × 37°15'
Focusing Range (From Front Of The Lens) (m)		∞ ~ 0.1
Object Dimensions at M.O.D. (H×V) (mm)	1/3"	132 × 99
	1/4"	99 × 73
Back Focal Distance (in air) (mm)		8.62
Exit Pupil Position (From Image Plane) (mm)		727
Filter Thread (mm)		—
Mount		CS
Mass (g)		30
Remarks		



**For Security**  
Fixed Focal

# YF8A-2

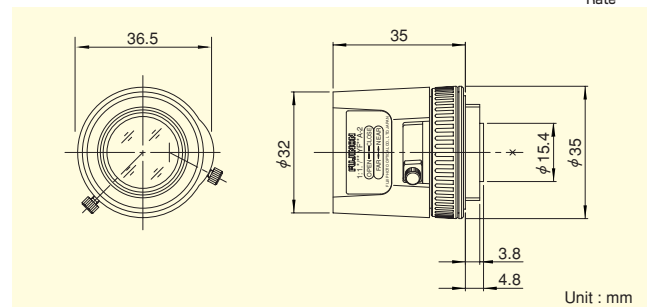
Applicable camera (model)

1	2/3	1/2	1/3	1/4
---	-----	-----	-----	-----

**FIXED** Fixed Focal    **MANUAL** Manual Iris    **CS-mt** CS Mount    **F1.2** Wide Aperture Rate



- Compact and lightweight design of 30g, best suited for built-in lenses
- Wide aperture of F1.2, optimizing the performance at low lighting intensity



Focal Length (mm)		8
Iris Range		F1.2 ~ Close
Operation	Focus	Manual
	Iris	Manual
Angle Of View (H×V)	1/3"	33°24' × 25°22'
	1/4"	25°22' × 19°09'
Focusing Range (From Front Of The Lens) (m)		∞ ~ 0.1
Object Dimensions at M.O.D. (H×V) (mm)	1/3"	71 × 53
	1/4"	53 × 40
Back Focal Distance (in air) (mm)		8.81
Exit Pupil Position (From Image Plane) (mm)		-147
Filter Thread (mm)		—
Mount		CS
Mass (g)		30
Remarks		

\*Photograph is a similar model.