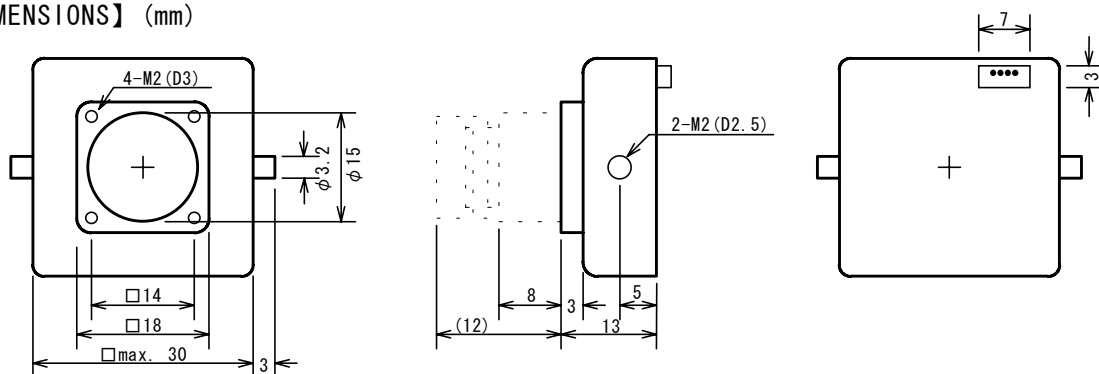


# WAT-230 Color camera

## 【SPECIFICATIONS】

|                            |   |
|----------------------------|---|
| Model                      | WAT-230 (NTSC, PAL)                                       |
| Pick-up element            | 1/4inch Interline transfer CCD image sensor               |
| Number of total pixels     | 542(H) × 497(V) (NTSC); 542(H) × 587(V) (PAL)             |
| Number of effective pixels | 512(H) × 492(V) (NTSC); 512(H) × 582(V) (PAL)             |
| Unit cell size             | 7.2 μm(H) × 5.6 μm(V) (NTSC); 7.2 μm(H) × 4.7 μm(V) (PAL) |
| Scanning system            | 2:1 interlace   |
| Synchronizing system       | Internal  |
| Video output               | Composite Video, 1Vp-p, 75ohm Unbalanced                  |
| Resolution(Horizontal)     | 350TV lines(center)                                       |
| Minimum illumination       | 3.0 lx. F2.0 (G3.8)                                       |
| Gamma correction           | $\gamma \cong 0.45$                                       |
| AGC                        | 10~22dB   |
| S/N Ratio                  | 46dB (AGC OFF)  |
| White balance              | Automatic   |
| Electronic iris            | 1/60 ~ 1/100000 sec. (NTSC), 1/50 ~ 1/100000 sec. (PAL)   |
| Standard lens              | (Glass, f3.8mm, F2.0) or (Pin Hole, f3.7mm, F4.5)         |
| Installation screw         | M2 (D=2.5mm) (Both side)                                  |
| Connection terminal        | Special connector   |
| Power supply               | DC +6.0~7.5V  |
| Current                    | max. 180mA  |
| Operating temperature      | -10°C ~ +40°C   |
| Storage temperature        | -30°C ~ +70°C   |
| Dimensions                 | 36.0(W) × 30.0(H) × 15.0(D)mm + lens                      |
| Weight                     | Approx. 30g   |
| Accessories                | connection cable(K-84)                                    |

## 【DIMENSIONS】 (mm)



Accessories: K-84

