

# T3Z2710CS

VARI FOCAL 3X 2.7~8mm F1.0  
for 1/3" format cameras  
CS-Mount

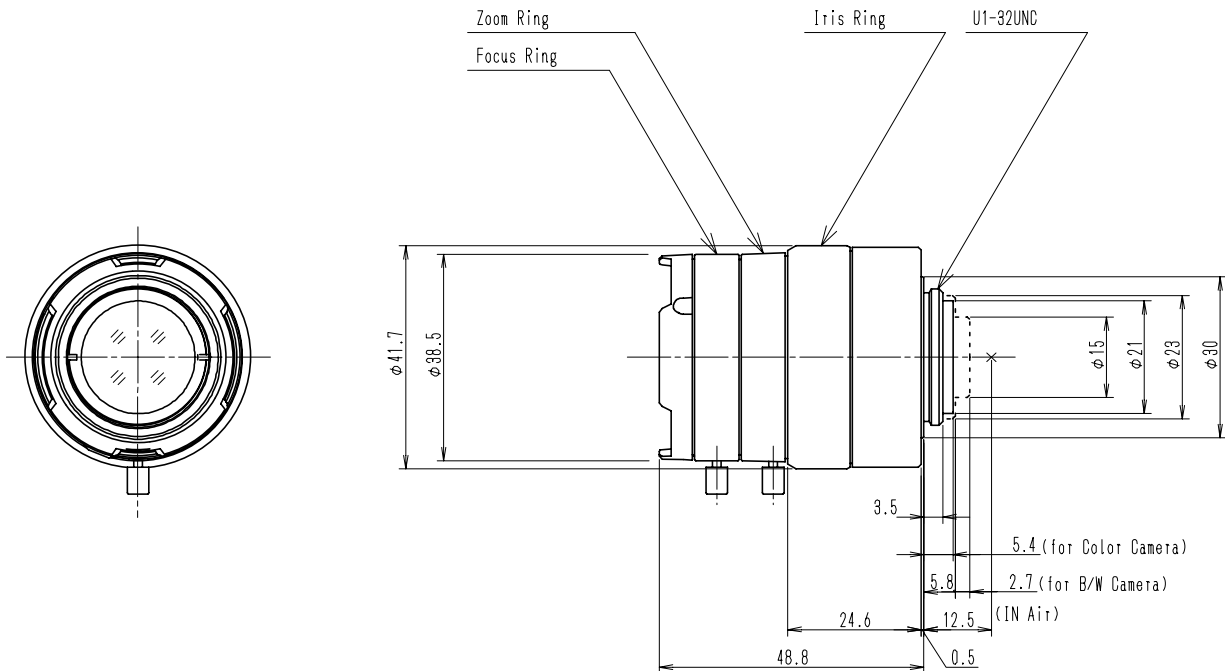
Model No.		T3Z2710CS	Effective	Front	φ 19.4mm
Focal Length		2.7 ~ 8 mm	Lens Aperture	Rear	φ 9.8mm
Max. Aperture Ratio		1 : 1.0	Back Focal Length	Tele	15.7mm
Max. Image Format		4.8 x 3.6mm (φ 6mm)		Wide	8.0mm
Operation Range	Iris	F1.0 ~ C	Flange Back Length		12.5mm
	Focus	0.3m ~ Inf.	Mount		CS-Mount
	Zoom	2.7 ~ 8 mm	Filter Size		M37.5 P=0.5mm
Control	Iris	Manual	Dimensions		φ 41.6 x 48.8mm
	Focus	Manual	Weight		g
	Zoom	Manual			
Object Dimension at M.O.D.	2.7mm	71.5 × 45.0cm			
	8.0mm	19.6 × 14.4cm			
Angle of View	D	128.0~45.2°			
	H	100.0~36.2°			
	V	73.8~27.0°			
Operating Temperature		-20° C ~ +50° C			

1/3

CS

M.O.D. : Minimum Object Distance

Dimensions



Z

SP