

H3616FI

3.6mm F1.6

for 1/2" format camera

C-Mount

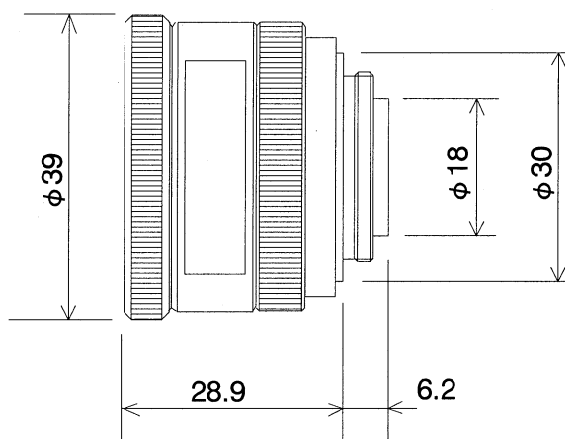
Model No.	H3616FI	Effective	Front	φ20.3 mm
Focal Length	3.6 mm	Lens Aperture	Rear	φ9.9 mm
Max. Aperture Ratio	1 : 1.6	Back Focal Length		11.4 mm
Max. Image Format	6.4 × 4.8 mm (φ8 mm)	Flange Back Length		17.526 mm
Operation	Iris	F1.6 ~ 16C	Mount	C-Mount
	Focus	0.2m ~ Inf	Filter Size	—
Object Dimension at M.O.D.	34.6 × 25.9 cm	Dimensions		φ39.0 × 28.9 mm
Field of View	Angle			
	D	110.5°		
	H	92.6°		
	V	71.7°		

1/2

C

M.O.D. : Minimum Object Distance

Dimensions



F