

1/3" B/W CCD Cameras **WV-BP130 series**



(Lens: option)

THE ADVANCED 1/3" CCD CAMERA SERIES, DESIGNED FOR GENERAL PURPOSE.

The Panasonic WV-BP130 series solid-state CCD black and white camera series incorporate a 1/3" interline transfer CCD pick-up device. Combining Panasonic's reliable state-of-the-art technology with a supersensitive 1/3" CCD chip results in a general purpose camera, featuring a favorable cost/performance ratio. High-density 298,000-pixel 1/3" CCD enables a dramatic increase in sensitivity of 0.08 lx at F1.4. The WV-BP130 series feature electronic light control (ELC) which allows the use of inexpensive fixed iris lenses.

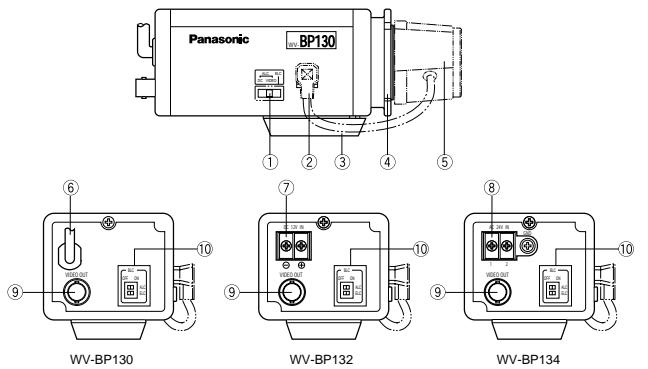
KEY FEATURES

- 1/3" CCD pick-up element with 512 (H) x 582 (V) pixels provides a high 380 lines of horizontal resolution.
- High sensitivity minimum scene illumination = 0.08 lx at F1.4
- Advanced electronic light control (ELC) enables the use of inexpensive fixed iris lenses such as WV-LF4R5C3A or WV-LF9C3A.
- Line-locked sync or automatic switching Multiplexed Vertical drive (VD2) (WV-BP130 and WV-BP134)
- Internal Sync or automatic switching VD2 (only WV-BP132)
- Wide ambient operating temperature range of -10°C to +50°C
- Selectable auto iris control signal for the lens from a video signal or DC control signal
- Accepts C- and CS-mount lenses.

- WV-BP130 Camera Series are
WV-BP130; 220-240V AC, 50 Hz
WV-BP132; 12V DC
WV-BP134; 24V AC, 50 Hz
- The maximum extensible coaxial cable length between the camera and the monitor is,

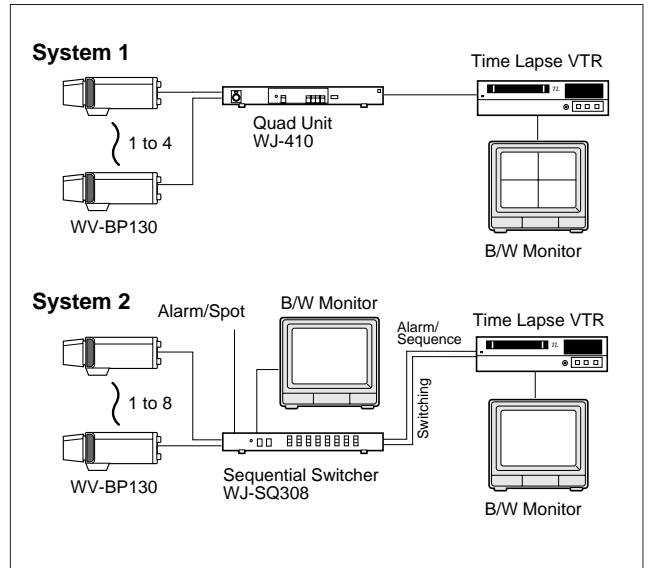
Type of coaxial cable		3C-2V (RG-59/U)	5C-2V (RG-6/U)	7C-2V (RG-11/U)	10C-2V (RG-15/U)
Recommended maximum cable length	(m)	250	500	600	800
	(ft)	825	1,650	1,980	2,640

MAJOR OPERATING CONTROLS







- ① Lens Type and Drive Signal Selector.
- ② Auto Iris lens Connector
- ③ Camera Mounting Screw Hole
- ④ Flange-back Adjusting Ring
- ⑤ Lens (option)
- ⑥ Power Cord (only WV-BP130)
- ⑦ DC 12V Input Terminal (only WV-BP132)
- ⑧ AC 24V Input Terminal (only WV-BP134)
- ⑨ Video Output Connector
- ⑩ Back Light Compensation On/Off Selectors

SYSTEM CONNECTIONS



OPTIONAL ACCESSORIES

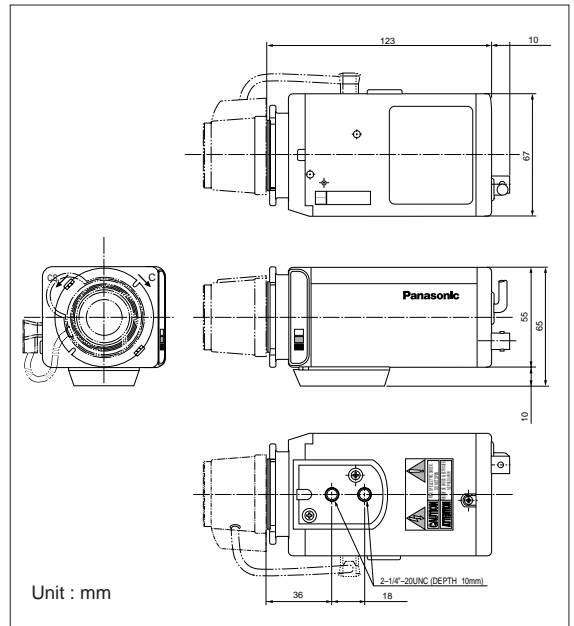
<p>1/3" Fixed Iris Lenses WV-LF4R5C3A WV-LF9C3A WV-LF4R5B3</p> 	<p>Sequential Switchers WJ-SQ208 WJ-SQ308</p> 	<p>B/W Quad Unit WJ-410</p> 	<p>Video Monitors WV-BM500 WV-BM1700 WV-BM900 WV-BM1900 WV-BM1410</p> 	<p>Time-Lapse VTRs AG-6124 AG-TL300 AG-6730 AG-TL700 AG-6040</p> 
--	---	---	--	--

SPECIFICATIONS CCIR

Models	WV-BP130	WV-BP132	WV-BP134
Pick-up Device	512 (H) x 582 (V) pixels, Interline Transfer CCD		
Scanning Area	4.8 (H) x 3.6 (V) mm (Equivalent to scanning area of 1/3" pick-up tube)		
Synchronization	Line-locked or Multiplexed vertical drive (VD2) for WV-BP130 and WV-BP134 Internal or Multiplexed Vertical Drive (VD2) for WV-BP132		
Scanning System	2 : 1 interlace		
Scanning	625 lines / 50 fields / 25 frames Horizontal: 15.625 kHz Vertical: 50 Hz		
Horizontal Resolution	380 lines		
Video Output	1.0 V[p-p] CCIR composite 75 Ω / BNC connector		
Signal-to-Noise Ratio	46 dB		
Electronic Light Control	Equivalent to continuous variable shutter speed between 1/50 s and 1/80,000 s		
Minimum Illumination	0.08 lx at F1.4, AGC ON		
Lens Mount	C-mount or CS-mount selectable		
Ambient Operating Temperature	-10°C - +50°C		
Ambient Operating Humidity	Less than 90%		
Power Source and Power Consumption	220-240V AC 50 Hz 3.2W	12V DC 160 mA	24V AC 50 Hz 2.8W
Dimensions (without lens)	67 (W) x 65 (H) x 123 (D) mm [2-5/8" (W) x 2-9/16" (H) x 4-13/16" (D)]		
Weights (without lens)	0.6 kg (1.32 lbs)	0.41 kg (0.90 lbs)	0.44 kg (0.97 lbs)

Specifications are subject to change without notice.
 Dimensions and weight are approximate.
 This product may be subject to export control regulations.

APPEARANCE



DISTRIBUTED BY:

Panasonic

Panasonic is the brandname of Matsushita Electric.

Printed in Japan
 [N-609]