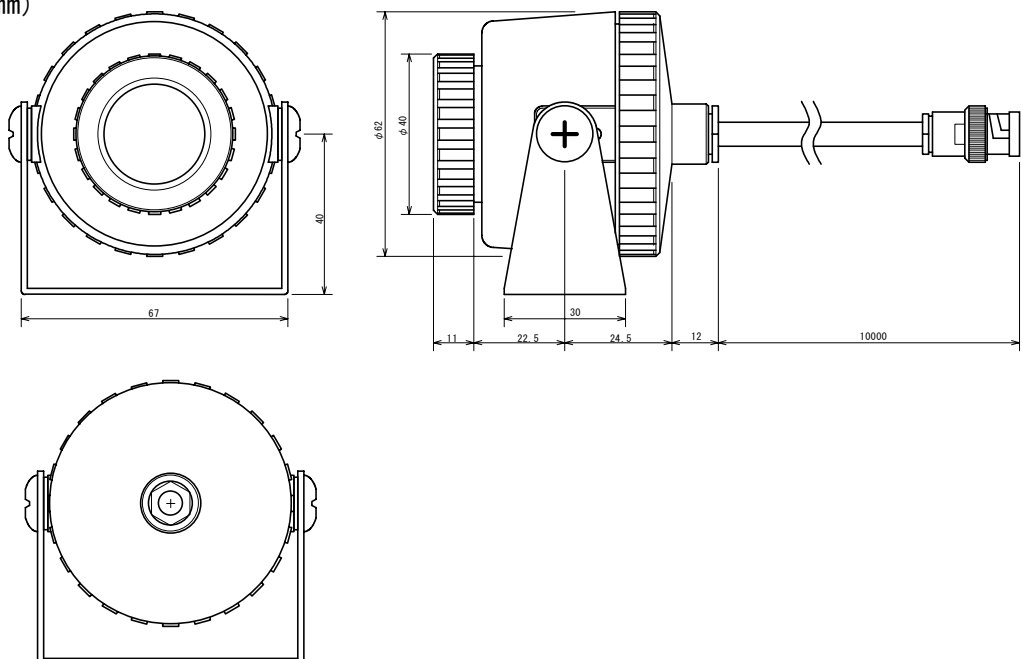


WAT-300DH Monochrome camera

【SPECIFICATIONS】

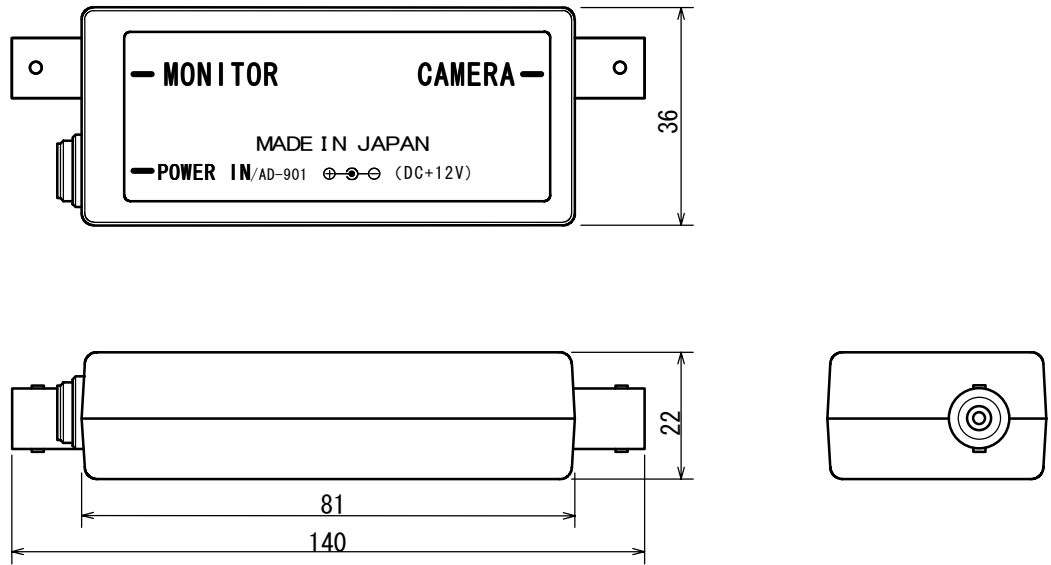
Model	WAT-300DH (EIA, CCIR)
Pick-up element	1/2inch Interline transfer CCD image sensor
Number of total pixels	811 (H) × 508 (V) (EIA), 795 (H) × 596 (V) (CCIR)
Number of effective pixels	768 (H) × 494 (V) (EIA), 752 (H) × 582 (V) (CCIR)
Unit cell size	8.4 μm (H) × 9.8 μm (V) (EIA), 8.6 μm (H) × 8.3 μm (V) (CCIR)
Scanning system	2:1 interlace
Synchronizing system	Internal
Video output	Composite Video, 1 Vp-p, 75ohm Unbalanced
Resolution (Horizontal)	570TV lines (center)
Minimum illumination	0.05 lx. F1.6
Gamma correction	$\gamma \doteq 0.45$
AGC	5 ~ 28dB
S/N Ratio	50dB (AGC OFF)
Standard lens	(f=3.6mm, F1.6) or (f=5.0mm, F1.6) or (f7.5mm, F1.6)
Use environment	IEC60529 IP-46
Installation	Brackets
Connection terminal	
(WAT-300RXS)	Video out (BNC), Camera in (BNC), Power
Power supply	DC +10.8 ~ 13.2V (12V ± 10%)
Current	170mA
Operating temperature	-10°C ~ +40°C
Storage temperature	-30°C ~ +70°C
Dimensions	75.0 (W) × 71.0 (H) × 70.0 (D) mm
Weight	Approx. 200g (standard with cable)
Accessories	Receiver (WAT-300RXS), Power supplies (AD-901)

【DIMENSIONS】 (mm)



【DIMENSIONS】 (mm)

Accessories (WAT-300RXS)



Accessories (AD-901 AC100V)

