



(Lens: option)

## THE NEW WV-BP50; A HIGH RESOLUTION BLACK-AND-WHITE CAMERA FEATURING HIGH SENSITIVITY AND BACKLIGHT CORRECTION

The WV-BP50 from Panasonic is a low cost Black and White CCD camera with high-end performance.

In combination with an optional F1.4 lens, the WV-BP50 can obtain a minimum illumination of 0.08 lx, virtually doubling its standard sensitivity. This camera is capable of capturing a clear image under extremely low light conditions, thereby offering a great improvement in monitoring capability.

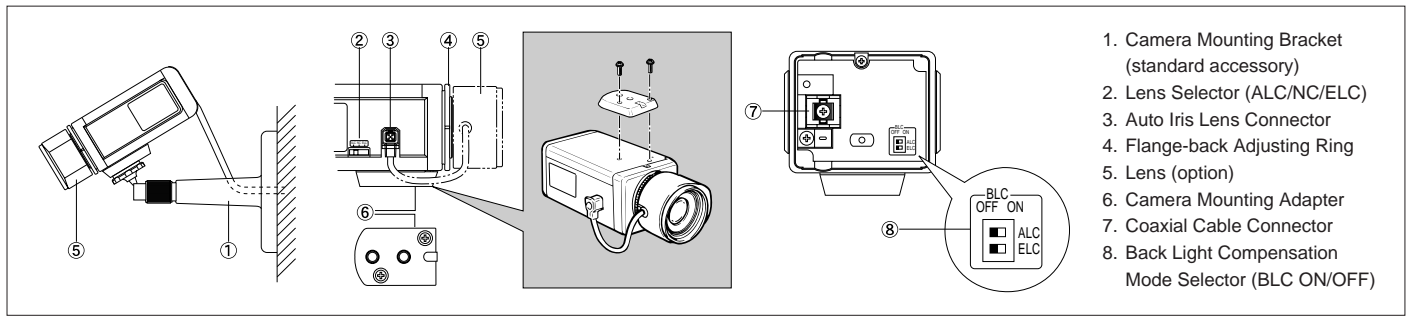
Internally equipped with an Electronic Light Control (ELC) backlight correction function, the image is clear and well defined, even in locations with extreme lighting conditions. Using a single coaxial cable that connects the WV-BP50 camera to its exclusive power supply unit or to its exclusive monitor, installation is simplified.

The WV-BP50 from Panasonic is a B/W camera that offers high cost performance at competitive cost.

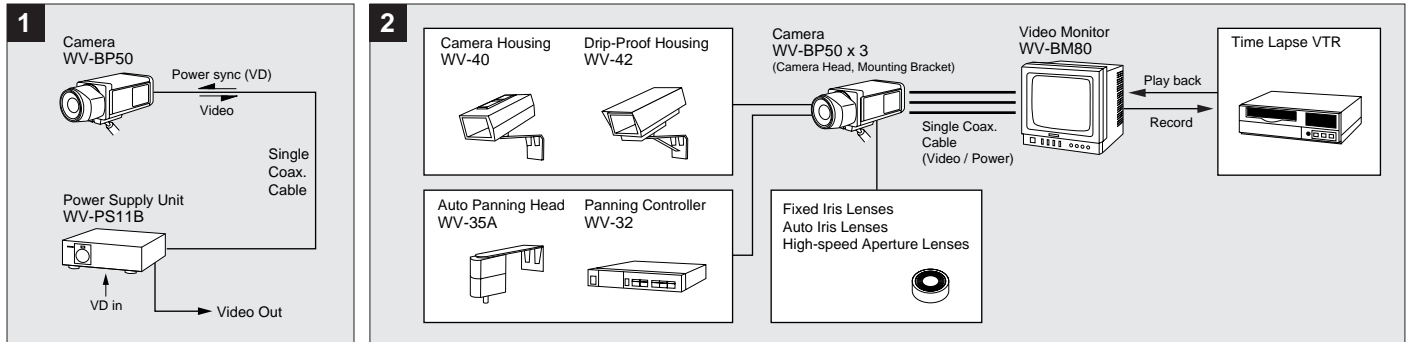
### Key Features

- 1/3" CCD pick-up element with 512 (H) x 582 (V) pixels provides a high 380 lines of horizontal resolution.
- High sensitivity of 0.08 lx at F1.4, 0.04 lx at F0.75.
- Advanced Electronic Light Control (ELC) enables the use of inexpensive optional fixed iris lenses.
  - \*ALC function for optional Automatic Iris Lens.
- Built-in Back Light Compensation function
- Wide ambient operating temperature range of -10°C to +50°C
- Both video and timing pulse are supplied through a single coaxial cable.
- CS-mount
- Mounting bracket provided.

## MAJOR OPERATING CONTROLS



## SYSTEM EXAMPLES



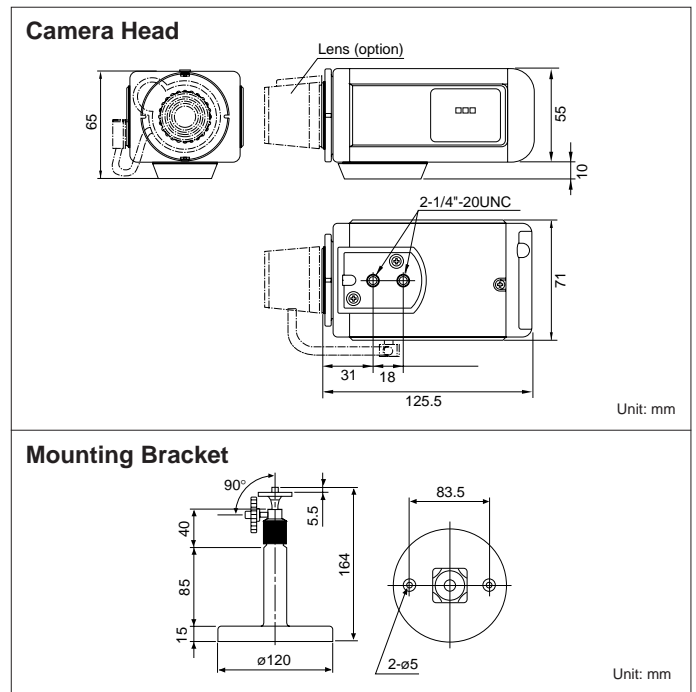
## OPTIONAL COMPONENTS & ACCESSORIES



## SPECIFICATIONS CCIR

<b>Pick-up Device</b>	512 (H) x 582 (V) pixels, interline transfer CCD
<b>Scanning Area</b>	4.8 (H) x 3.6 (V) mm (Equivalent to scanning area of 1/3" pick-up tube)
<b>Synchronization</b>	Multiplexed vertical drive (VD2)
<b>Scanning System</b>	2:1 interlace
<b>Scanning</b>	625 lines / 50 fields / 25 frames Horizontal: 15.625 kHz Vertical: 50 Hz
<b>Horizontal Resolution</b>	380 lines
<b>Video Output</b>	1.0 V [p-p] composite 75Ω / BNC connector
<b>Signal-to-Noise Ratio</b>	46 dB
<b>Electronic Light Control</b>	Equivalent to continuous variable shutter speed between 1/50 s and 1/80,000 s
<b>Minimum Illumination</b>	0.08 lx at F1.4, 0.04 lx at F0.75
<b>Ambient Operating Temperature</b>	-10°C - +50°C
<b>Ambient Operating Humidity</b>	Less than 90%
<b>Dimensions</b>	71 (W) x 65 (H) x 125.5 (D) mm (without lens)
<b>Weight (without lens)</b>	470 g

## APPEARANCE



• Weights and dimensions are approximate. • Specifications are subject to change without notice. • These products may be subject to export control regulations.

DISTRIBUTED BY:

# Panasonic

Panasonic is the brandname of Matsushita Electric.  
Printed in Japan  
[2N-634A]