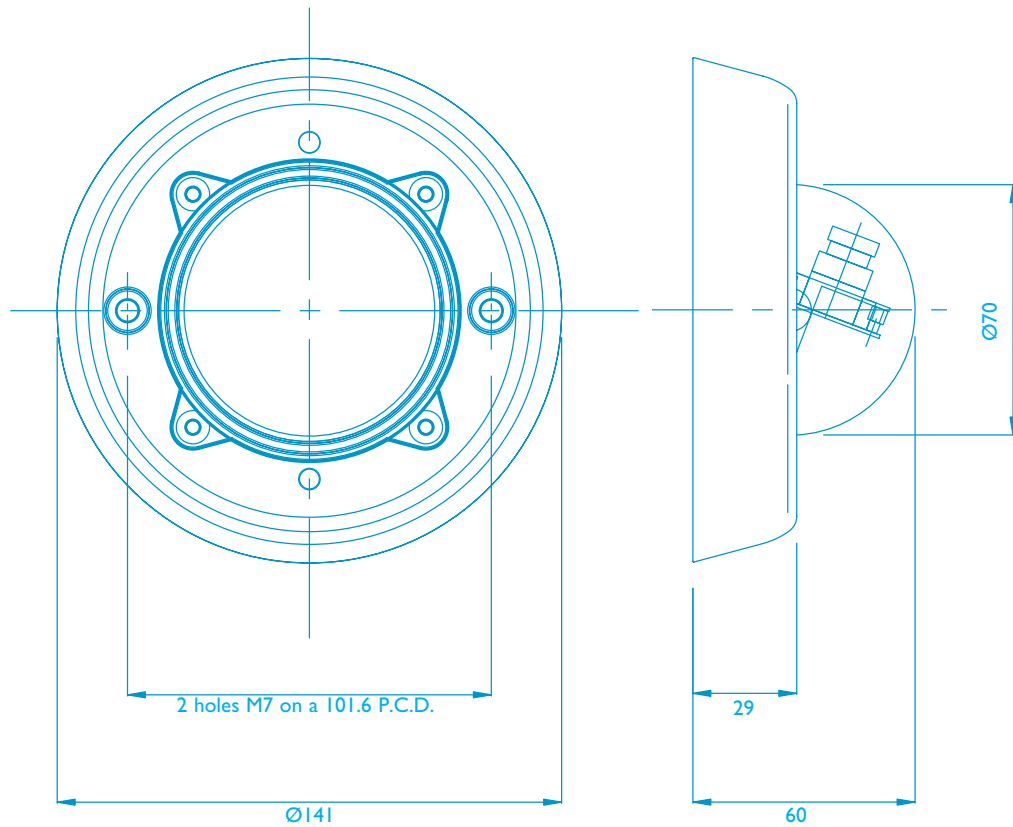


## TECHNICAL DATA



ALL DIMENSIONS IN mm

## SPECIFICATION - TYPE 1000

Material	Aluminium alloy and polycarbonate
Finish	Powder coated and stoved. Colour: ash grey BS4800 00A01
Environmental protection	BS. EN. 60529 Level IP67
Weight	0.7kg
Camera movement	Manually adjustable 355° pan and 90° tilt down
Voltage	12 Vd.c.
Power consumption	140mA
Storage temperature	-30°C to +60°C
Operating temperature	-20°C to +50°C max 90% humidity
Lens	Fixed f= 3.6mm F2.0
Sensitivity	1 Lux (F=2.0)
Image sensor	1/3" colour
Effective pixels	512 x 582 (HxV)
Horizontal resolution	480 TV Lines



Dennard Ltd. • 55 Fleet Road • Fleet • Hants • GU51 3PN  
 T. +44(0)1252 614884 F. +44(0)1252 626013 email: sales@dennard-cctv.com

# SERIES 1000 MANUAL DOME

## EXTERNALLY ADJUSTABLE DOME CAMERA

Unique in the market place, the Series 1000 mini dome allows pan and tilt adjustment of the view without the need to open the camera. A simple tool allows external access to 355° rotation and 90° tilt to quickly reassign the camera to an alternate position. This is achieved without disturbing weatherproof seals or allowing dust to enter the housing. The dome protects a high resolution (1/3" CCD, 480 TVL) colour camera. The standard 3.6mm fixed focal length lens provides an optimum viewing angle and additional lens packs provide the enhanced flexibility for more demanding applications.

### Build options:

- 1000-100 Externally adjustable colour dome camera

### Key features:

- EXTERNALLY ADJUSTABLE PAN AND TILT MECHANISM
- HIGH RESOLUTION COLOUR CAMERA
- VANDAL RESISTANT DIE-CAST ALUMINIUM HOUSING WITH POLYCARBONATE HEMISPHERE
- CEILING MOUNTED
- WEATHERPROOF DESIGN SUITABLE FOR INDOOR OR OUTDOOR APPLICATIONS



Manual Dome