

## 960-Hour S-VHS/VHS Time-lapse Video Cassette Recorder

## TLS-S8000P PAL

- High-resolution S-VHS picture quality
- Jog / Shuttle for precision searching and viewing
- RS-485 (Sanyo Security Serial Protocol) and RS-232C compatibility
- AC / DC dual power operation



**S-VHS** VHS  
PAL  
625

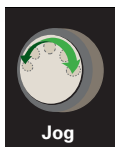
### Jog / Shuttle



When searching through recorded images, the jog / shuttle functions allow fingertip control of the winding speed. The jog dial allows field-by-field searching while the shuttle ring offers rapid winding.



Shuttle



Jog

Shuttle ring turned to the left		Original mode	Shuttle ring turned to the right	
Rewind	Reverse picture search	Stop mode	Normal playback	Fast forward
Reverse picture search	Reverse playback	Normal playback	Normal playback	Forward picture search
Reverse picture search	Reverse playback	Reverse slow motion	Still image	Slow motion
		Normal playback	Normal playback	Forward picture search

Select playback speed for both forward and reverse directions simply by turning the shuttle ring to the left or right.



Switch between forward and reverse field advance simply by turning the jog dial to the left or right.  
NOTE: Images here may differ slightly from actual recorded scenes.



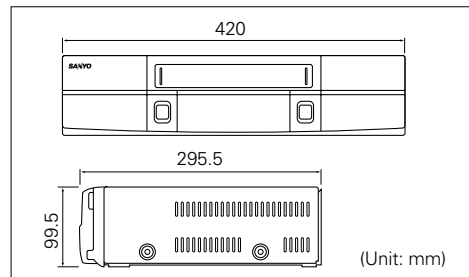
## Main Features

- **S-VHS format**  
S-VHS allows more than 400 lines of horizontal resolution in recording, playback and time-lapse modes
- **Multiple recording modes**  
Select from between 13 modes (3, 12, 24, 48, 72, 96, 120, 168, 240, 360, 480, 720 or 960 h) according to your monitoring needs. Sound recording is also possible with 3, 12 and 24-hour modes. (E-180 tape)
- **Clog detection**  
Recording quality is monitored automatically. When heads become dirty and recording quality deteriorates, a buzzer sounds, the REC indicator flashes on the digital display, and the output at the WARNING OUT terminal becomes zero volts. (Low)
- **Master / slave clock adjustment**  
Clock adjustment functions controllable by a master VCR.
- **Forward / reverse field advance**
- **Reverse playback (3-hour mode only)**
- **Automatic summer time adjustment**
- **Trilingual menu (English / French / German)**
- **AC / DC dual power operation**

## Other Features

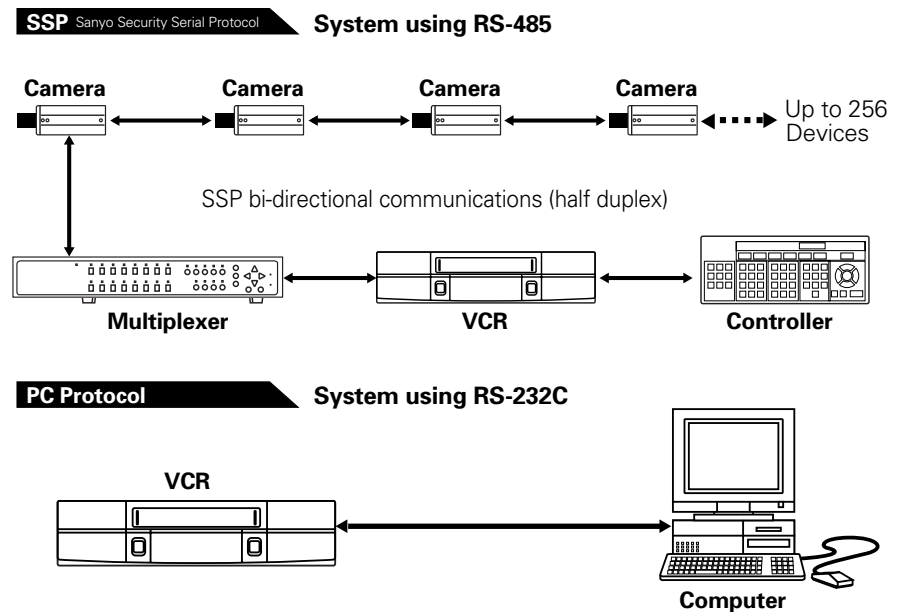
- Field recording / field playback
- High-speed FF / REW
- Built-in time / date generator
- Timer recording
- External timer recording
- Auto repeat recording
- Recording check
- Auto head cleaning
- Series recording
- Alarm function  
Alarm recording, alarm scan, alarm counter, alarm search
- Date and time search function (10 min)
- Security lock
- Video loss detection
- Lifetime counter
- 30-day memory backup
- Resume function
- Bridge-out for power off video and audio signal through
- Warning out terminal

## Dimensions



## Compatible with RS-485 (SSP) / RS-232C Standards for Serial Device Set-up

With RS-485 compatibility, you can deploy systems using the next-generation SSP (Sanyo Security Serial Protocol) communication protocol. SSP allows a total of 255 cameras, multiplexers, and VCRs, to be connected in a daisy chain over a distance of up to 1200 m (4000 feet) for centralized control with a single controller. Moreover, with RS-232C compatible VCRs various operations from an external computer are also possible.



## Specifications

MODEL	TLS-S8000P		
<b>General</b>	<b>Tape cassette</b>	Standard 1/2" S-VHS / VHS (E-180)	
	<b>Video recording system</b>	Helical scanning system employing 2 heads for recording and standard playback and 4 heads for forward/reverse picture searches and still mode	
	<b>Tape speed</b>	23.39 mm/sec (3-hour mode)	
<b>Recording system</b>	<b>Recording &amp; playback time</b>	3, 12, 24, 48, 72, 96, 120, 168, 240, 360, 480, 720, 960 h (E-180)	
	<b>Audio recording</b>	3, 12, 24-hour modes (E-180)	
	<b>High-speed scan</b>	5 x (3-hour mode)	
	<b>Rewind / FF time</b>	Approx. 2 min 45 sec (E-180)	
<b>Video</b>	<b>Signal format</b>	PAL (colour) / CCIR (B/W) auto select, 625 lines, 50 field/sec	
	<b>Video input</b>	1.0 V (pp) 75 $\Omega$ unbalanced (BNC)	
	<b>Video output</b>	1.0 V (pp) 75 $\Omega$ unbalanced (BNC)	
	<b>Horizontal resolution</b>	S-VHS: 430 (B/W) or 400 (colour) lines; VHS: 320 (B/W) or 240 (colour) lines	
	<b>Signal-to-noise ratio</b>	45 dB	
<b>Audio</b>	<b>Input</b>	-8 dB 27 k $\Omega$ (RCA)	
	<b>Output</b>	-8 dB 600 $\Omega$ (RCA)	
	<b>Microphone input</b>	-60 dB 10 k $\Omega$ (mini jack)	
<b>Time / date generator</b>	<b>1st line</b>	Day, month, year, day of week, alarm count	
	<b>2nd line</b>	Hour, minute, second, recording speed	
	<b>Format</b>	24 hours	
	<b>Battery backup</b>	30 days	
<b>Alarm commands</b>	<b>Input</b>	Ground contact closure	
	<b>Output</b>	+5 V at 5.7 k $\Omega$ (low at alarm)	
<b>RS-485 / RS-232C data transfer speed</b>	19200, 9600, 4800, 2400 baud		
	<b>Inputs / Outputs</b>	RS-485 — RJ-11 (× 2) RS-232C — D-sub (9-pin) REMOTE — MIC IN (3.5-mm mini jack) ALARM IN / OUT, SW OUT, TAPE END OUT, EXT TIMER IN, DC 10-30 V IN (-,+), TIMER OUT, SERIES OUT / NON REC OUT, CLOCK SET IN / OUT, WARNING OUT, SERIES IN — Screw-type terminal strip	
<b>Electrical</b>		<b>Power source</b>	AC 220 - 240 V, 50 Hz or DC 10 - 30 V
		<b>Power consumption</b>	Approx. 21 W
<b>Physical</b>		<b>Operating conditions</b>	Temperature: 5°C - 40°C [41°F - 104°F]; Humidity: 80% or less
		<b>Dimensions (W x H x D)</b>	420 x 99.5 x 295.5 mm [16.54 x 3.92 x 11.63 in.]
		<b>Weight</b>	Approx. 4.8 kg [10.6 lbs.]

NOTE: Specifications subject to change without notice.

**Caution:** Please consult the instruction manual to ensure safe and proper operation of the product.

[www.sanyosecurity.com](http://www.sanyosecurity.com)

Distributed by:

# SANYO

SANYO Electric Co., Ltd.  
Video Imaging Systems Division  
© 2001 SANYO Printed in Japan '01.7. MA  
SMS-016