



1/2" FIT colour camera featuring high sensitivity with very low smear.

Most IT (interline transfer) CCD type CCTV cameras experience problems of vertical smear caused by direct exposure to very bright spot light such as vehicle's headlights. Vertical smear is the undesirable effect which disturbs important image details.

The Panasonic WV-CL830 1/2" FIT colour camera overcomes this problem with the inclusion of the FIT (frame interline transfer) CCD. Its remarkably low smear feature ensures that vertical smear does not deteriorate required image details. This offers a great advantage for nighttime or vehicle monitoring with its electronic sensitivity enhancement. The WV-CL830 also employs the 3rd generation DSP which creates a superb chroma SN ratio and picture sharpness.

The Panasonic WV-CL830 offers cutting edge technology and performance for the most advanced CCTV applications.

Key Features

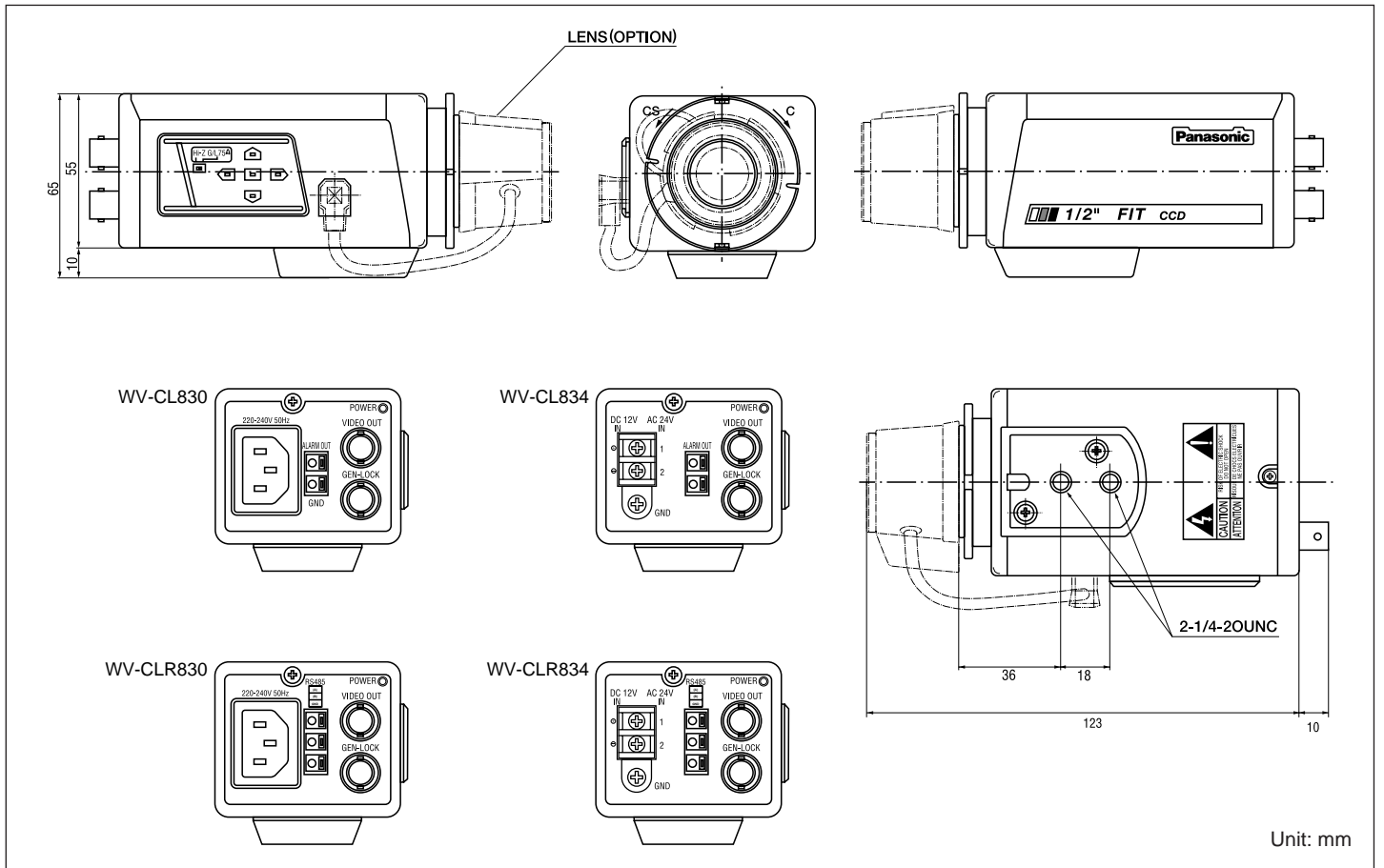
- 1/2" Frame Interline Transfer CCD <771(H)x582(V)>
- 480-line horizontal resolution
- 50dB S/N ratio (AGC OFF, Weight ON)
- Minimum illumination of 1.5lx (0.15fc) at F1.4, 0.5lx (0.05fc) at F0.75
- 220-240V AC (WV-CL830/CLR830), 24V AC/12V DC (WV-CL834/CLR834)
- Camera Title (16 characters)
- Built-in digital motion detector
- Electronic sensitivity enhancer (AUTO/MANUAL/OFF)
- ELC function enables the use of fixed iris lens for indoor application
- 2H type vertical edge enhancer
- Chroma averaging circuit
- High light aperture correction
- On screen setup menu
- C/CS adjustable lens mount, DC/Video Servo Lens available

SPECIFICATIONS

Model Number	WV-CL830	WV-CL834	WV-CLR830	WV-CLR834	ALC Lens Drive	Video Servo / DC servo Selectable
Pick-up Device	771(H) X 582(V)pixels, Frame Interline Transfer CCD				Lens Mount	C/CS Mount
Scanning Area	6.4(H) X 4.8(V)mm (Equivalent to scanning area of 1/2" pick-up tube)				Function	
Scanning System	2:1 Interlace				Communication	Single Wire RS-485
Scanning	625 line / 50 field / 25 frame				Camera Title	16 Character Display (Alphabet, Numeric, Symbols)
	Horizontal	15.625 kHz			Electric Shutter (second)	1/50 (OFF), 1/120, 1/250, 1/500, 1/1,000, 1/2,000, 1/4,000, 1/10,000
Vertical	50 Hz				AGC	ON/OFF
Horizontal Resolution	480 TV Line				Electric Sensitivity Up	Auto: X2, X4, X6, X10, X16, X32 Fix: X2, X4, X6, X10, X16, X32
Signal-to-Noise Ratio	50 dB (AGC OFF, weight ON)				White Balance	ATW (2,600°K - 6,000°K) / AWC (2,300°K - 10,000°K)
Minimum Illumination	0.5 lx (0.05 footcandle) at F0.75 [Equivalent to 1.5 lx (0.15 footcandle) at F1.4]				Motion Detector	On/Off 6 X 8 Masking AREA AVAILABLE FOR Masking (Sensing Area is 12 X 16 Zone)
Synchronization	Internal Sync/Line Lock/V/D2/VBS, VS Sync				Back Light Compensation	6 X 8 Masking AREA AVAILABLE FOR BLC
	360 V-Phase adjustment of Line Lock				Communication Distance	1.2 km by Belden 9259 or equivalent 1.2 km by Twisted pairs cable
	H-Phase Adjustment				Operating Temperature	-10°C - +50°C
	SC-Phase Adjustment				Operating Humidity	Less than 90%
Video Output	1.0 V [p-p] PAL Composite 75 Ω BNC Connector				Power Source	220 ~ 240V 50 Hz AC 24 V/DC 12 V 220 ~ 240V 50 Hz AC 24 V/DC 12 V
Gain Control	Selectable AGC ON (14 dB) or OFF				Power Consumption	5.5 W 5.4 W/570 mA 6.3 W 6.3 W/690 mA
Automatic Light Compensation	ALC: 1:52,000 / ELC: 1:10,000 Selectable ALC or ELC				Dimensions	67(W) X 65(H) X 123(D)mm
Electric Light Control	Equivalent to continuous variable Shutter between 1/50 to 1/10,000				Weights (without lens)	0.41kg (without power cord) 0.40kg 0.42kg (without power cord) 0.41kg

Standard Accessories •Body Cap.....1 pc •ALC Lens Connector (YFE4191J100).....1 pc •AC Power Cord (for only WV-CL830/CLR830).....1 pc •Floppy Disk (for WV-CLR830/834).....2 pc

APPEARANCE



- Weights and dimensions are approximate.
- Specifications are subject to change without notice.
- These products may be subject to export control regulations.

DISTRIBUTED BY:

Panasonic

Panasonic is the brandname of Matsushita Electric.
Printed in Japan
[N-602A]