

JUNE 2006

INto

ACCESS CONTROL



NORTH: 01253 894 488

MIDLANDS: 01925 247 200

SOUTH: 01189 440 123

norbain.co.uk - Your Gateway to Total Security™

NORBAIN'S ACCESS CONTROL TEAM

The Access Control team at Norbain are responsible for one of the fastest growing areas of the modern security industry in terms of the number of installations taking place each year, as well as the range of solutions entering the market. Below is a brief introduction to the Access Control team to help you get a better idea of who they are.

Anne Bowden – Product Manager

Anne joined Norbain over 13 years ago as an Internal Sales Engineer and quickly progressed through the ranks to Internal Sales Manager. Then, after a year and a half in Major Projects, she took on the role of Access Control Product Manager where she has been for the last seven years. Here, she ensures that Norbain continues to anticipate the trends and needs of the market and act accordingly.



Frank Sandham

– Business Development Manager

Frank has been with Norbain for the last eight years, with five years on the Technical Support Team covering both CCTV and Access Control and three years on the Product Management Team. Prior to joining Norbain he worked for ten years exclusively within the Access Control industry dealing mainly with large network systems for the banking sector in London.



Gareth Ellams

– Business Development Manager

Gareth started at Norbain eight years ago having previously worked in the Royal Navy working as an Aircraft Engineer specialising in Lynx Helicopter maintenance.



For the first two years at Norbain, Gareth worked in Internal Sales covering both CCTV and Access Control. After a year in Field Sales, he then moved into his current role as Business Development Manager for Access Control.

For further information on the range of Access Control products, please contact your local Norbain office, or either Anne, Frank or Gareth using the contact details below:

Anne Bowden

Tel no 0118 944 0123 anne.bowden@norbain.co.uk

Frank Sandham

Tel no 0118 944 0123 frank.sandham@norbain.co.uk

Gareth Ellams

Tel no 01253 894 488 gareth.ellams@norbain.co.uk



GOING GLOBAL

We at HID Corporation have announced the integration of sister company Indala into HID to form HID Global. In addition to Indala, there are some other companies included within this integration such as BUGA (electronic lock manufacturer) AccessID (custom card services provider) and Synercard (ID solution company).

The new organisation was formally announced to the marketplace at the end of March 2006.

The new company is structured as a fully integrated organisation that will provide the broadest range of products, programs, and services in the access control industry. For the next few months, it will be business as usual as we continue to integrate the back office processes behind the scenes. Our intention being that it will make dealing with HID even easier.

There are a number of new products coming soon, including: the R90 Long Range iCLASS Reader, RP40 MultiCLASS (Proximity and iCLASS combination reader) and iCLASS clamshell cards. Please refer to the HID website or contact your local Norbain representative for more information on any of our new products or initiatives.



R90 Long Range Reader



RP40 MultiCLASS



X1 technology

2 wire video entry control

Increasingly advanced yet simpler than ever; using VCM/ID cable (pictured left). Just two non-polarised wires from the power supply to the monitor: X1 allows kits to be expanded to accommodate up to 4 entrances, 64 apartments and with extra power; up to 8 monitors per apartment. It also offers self learning programming and multi-riser distribution.

Opera X1 Colour Video Entry Kit



- Opera recessed, hands-free colour monitor with 3 front plates in White, Orange and Arctic Blue, intercom module and embedding box
- Targha HEV/301GH recessed aluminium 1 button entry panel with colour camera
- VA/301 power supply unit



White

Orange

Arctic Blue

OPHERAKIT/01

For secure lock release installations, we recommend the use of a VLS/301 relay

Intercom buttons:

- 8 way intercom module (optional)

Controls:

- Brightness
- Colour saturation
- Ring tone level selector

Dimensions:

- 158mm wide, 124mm high and 16mm deep (back box 55mm deep)



Feature:

- Swivel mount display
- High definition 3.5" LCD TFT colour screen

Operation buttons:

- Audio activation
- Door lock release
- Mute/privacy
- Self-connection
- Auxiliary services
- Porter call
- Panic

bpt

entry control solutions



Why Impro?



impro®

Distributed by BPT

the complete access control solution

- The most extensive feature to price ratio on the market
- More features as standard including full colour graphics plans, intelligent vehicle access control, full card printing software, lift/elevator control & web reports
- From single door entry to a system capable of controlling 256 remote sites
- 1 door to 3,000; 1 user to 160,000
- Expert system design assistance
- Fast-track instructions to speed-up the installation process
- Superb telephone technical assistance and onsite support
- Next day delivery on all standard products
- Unrivalled training facilities and demonstration equipment

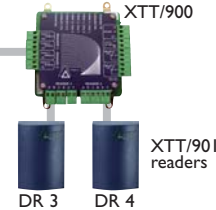
New simple Impro system codes make quoting even easier..

Impro4 - Part No includes 2 door controller, USB connection and software. Just add the desired reader type. Use XTT/900 for expansion (expandable to 4 doors)

Impro4 controller kit



Impro4 system with 4 readers -

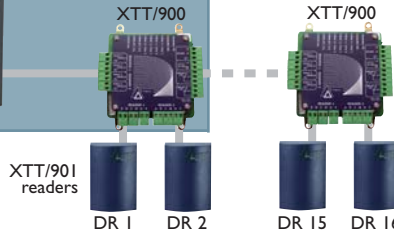


Impro16 - Part No includes main controller (capable of connecting up to 16 doors), software, USB connection, registration reader and 1st 2 door controller XTT/900. Just add the desired reader type. Use XTT/900 for expansion

Impro16 controller kit



Impro16 system with 16 readers

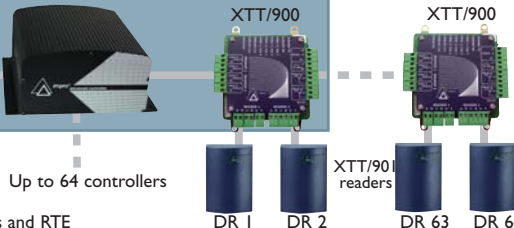


Impro64+ - Part No includes main controller (capable of connecting up to 64 readers), software, serial connection, registration reader and 1st 2 door controller XTT/900. Just add the desired reader type. Use XTT/900 for expansion

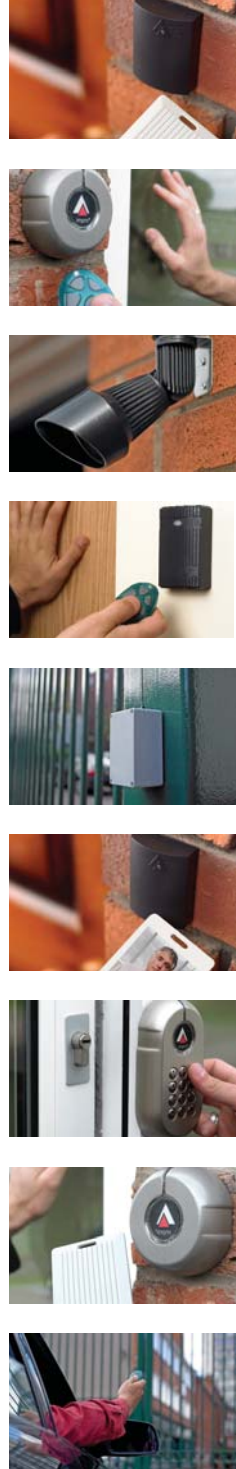
Impro64+ controller kit



Impro64+ system with 64 readers



Prices exclude PSUs, lock releases and RTE



FingerKey Biometric Reader

Compact size and ease of use are the key features of this reader. With a capacity of 250 users (expandable to 2000), the FingerKey is the ideal biometric device to integrate into existing access control systems where either a high level of security is required or where biometrics are needed as an upgrade from keypad, swipe or proximity.

- Stylish and elegant with LCD display
- Ease of integration into new or existing access control systems using Wiegand or clock and data outputs. (Examples include ACT, Bewator, Paxton etc)

- Standard pin and finger entry, also available with integrated proximity reader options (HID, iClass and Mifare)
- Networkable to share the template database over Ethernet or hard wired RS485.



HandKey Hand Geometry Reader

The HandKey reader has made its name from reliability and robust operation in environments where other biometric devices often fail. The unit offers a level of recognition that can cope with harsh working environments.

- Stylish design with LCD feedback in operation.
- Ease of integration into new or existing access control systems using Wiegand or clock and data outputs. (Examples include ACT, Bewator, Paxton etc)
- Standard pin and finger entry, also available with integrated proximity reader options (HID, iClass and Mifare)
- External unit also available with a variety of housings to suit extreme weather applications.
- Stand alone or networkable to share the template database over Ethernet or hard wired RS485.



P3.GPRS

ACCESS CONTROL IN THE MOST INACCESSIBLE PLACES

P3.GPRS makes use of the mobile telephone network to connect remote access control systems.

- **IP ADDRESSABLE ACCESS CONTROLLER**
with integrated GPRS modem and TCP/IP stack. No need for direct LAN or PSTN Connection
- **CONNECT REMOTE ACCESS CONTROL SYSTEM**
using mobile telephone network
- **"ALWAYS ON" CONNECTION**
means no need to dial remote locations one at a time
- **ONLINE ACCESS CONTROL**
where otherwise not possible
- **PAY ONLY FOR DATA TRANSFERRED**
which with access control is very low. (GPRS account needed)



Product Code 3006 P3.GPRS



The full Progeny range is available from Norbain.



www.progeny.co.uk

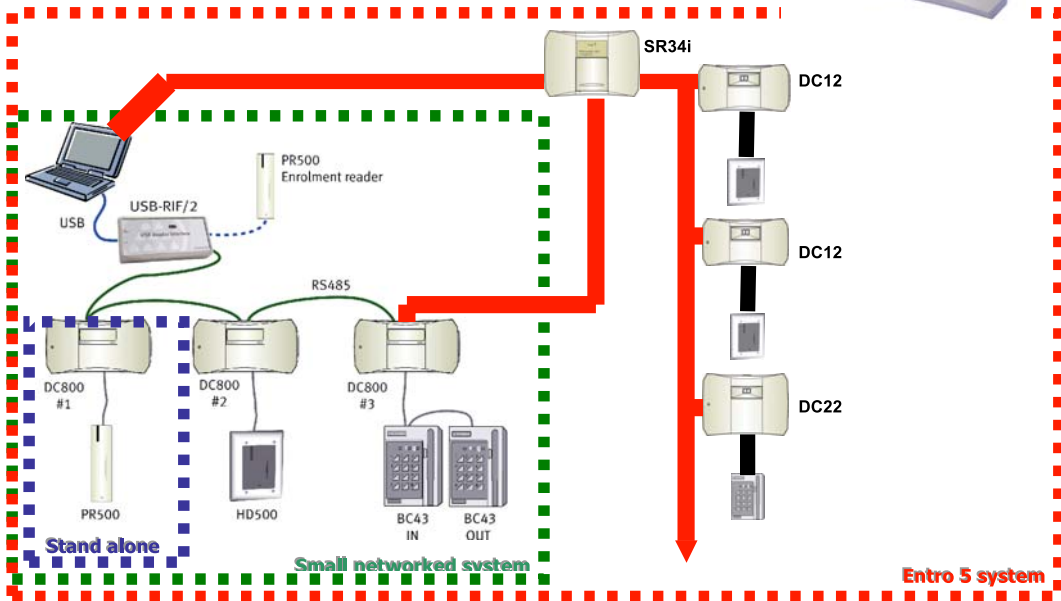


Flexible and cost effective, Progeny systems offer extended features with advanced functionality and easy integration.

Available from Norbain
NORTH: 01253 894 488
MIDLANDS: 01925 247 200
SOUTH: 01189 440 123

Entro Lite

Let it grow with you



Entro Lite is a brand new access control system that can be used Standalone, Networked (max. 8 doors) or Upgraded to Entro 5 without any hardware redundancy. Entro Lite will replace the BC-640 range of controllers and is due for release during May 2006.

Part Code/Description	Suggested Trade Price
DC800 Door Controller can be used standalone or networked USB/RIF-2 Interface & Entro Lite s/w	
USB-RIF/2 RS485 to USB Interface, includes Entro Lite Software	
TG-PROX Enrolment Reader on Stand	
Readers For Entro Lite System	
PR500-AB Mullion Mount Proximity Reader	
SP500-AB Switch Plate Reader	
PM500-AB Panel Mount Reader	
HD500-2-AB Heavy Duty Proximity Reader	
BC-43Prox Proximity Reader with Keypad	
HF500-Entro Hands-Free Reader Internal Use Only	
BC-5511 Hands-Free Reader Pack for External Use	
Magnetic Stripe Readers for Entro Lite System	
BC-16 Magnetic Stripe Card-only Reader	
BC-43 Magnetic Stripe Card Reader with Keypad	



BEWATOR

A Siemens Business