

Installation Note

PR100 Proximity Reading Head

IN116

The PR100 Reading Head must be connected either to a 4322 Cotag Reader module or to a 5311 Reader Interface.

Removing the cover

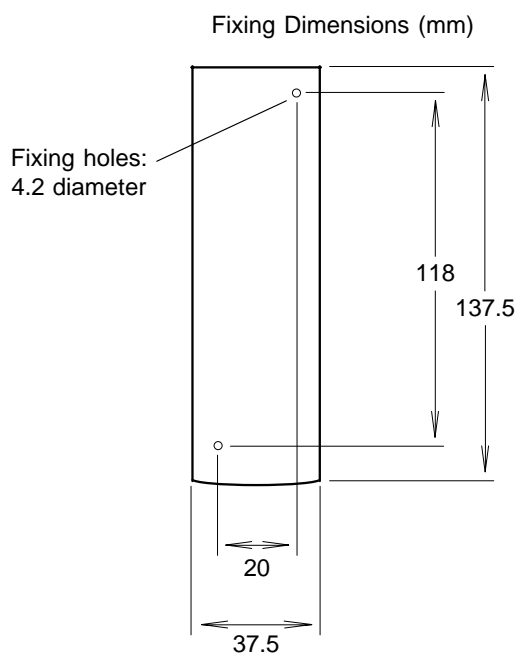
The Reading Head is supplied with the cover separate. If the cover has been fitted for any reason, remove it by pushing in the lug on its lower edge using a suitable screwdriver.

Mounting and connecting

1. Choose a suitable position to mount the Reading Head near the door.


The PR100 Reading Head has a range of 15cm to 30cm (6in to 12in) so it must be mounted in a position where the card or tag can easily be brought within this distance. We recommend it is mounted approximately one metre (3.5ft) above the ground. Also consider ease of access to the door once the card or tag has been read, for example, it is better to mount the Reading Head near the opening side of the door rather than the hinge side.

2. The Reading Head should be mounted with the LEDs at the top left. Mark out and drill the two mounting holes. Don't fix the Reading Head to the wall yet. The holes accept 4mm machine screws or No 8 wood screws.



The cover overlaps the base slightly on all sides so you must allow a little extra room all round.

3. Route the cables into the Reading Head: you can use either the cut-out in the base or the one in the lower edge at the bottom of the Reading Head.
4. When you have routed the cables into the Reading Head you can screw it to the wall.
5. Make the connections shown in the following table:

PR100	4322/5311	Function
<u>Tx</u>	<u>Tx</u>	Transmit line
<u>Tx</u>	<u>Tx</u>	Transmit line
V+	VA	+12V supply to LED anodes and horn
R	R	Red LED cathode
A	A	Amber LED cathode
G	G	Green LED cathode
HRN		Horn
<u>Rx</u>	<u>Rx</u>	Receive line
<u>Rx</u>	<u>Rx</u>	Receive line

Note: if corrosion of the terminals due to moisture may be a problem, cover the terminals with silicone grease or petroleum jelly.

The Tx and Rx lines must be connected using individually screened twisted pair cables. For distances up to 200 metres you can use 812 Cable, or cable with 0.38mm² (22AWG) conductors (for example Belden 8723 or equivalent for twin twisted pair). For distances between 200 and 300 metres you must either use 812 Cable, or cable with 0.5mm² (20AWG, 16/0.2) conductors (for example Belden 9402 or equivalent for twin twisted pair). The maximum distance between the Reader Module/Interface and the Reading Head is 300 metres using either 812 Cable or 20AWG screened twisted pairs. Any suitable 5-core cable can be used for the LEDs and horn.

The cable shields should be connected at the 4101-2 Controller or 5311 Reader Interface, but must **not** be connected at the Reading Head end, either to each other or to anything else: they should be cut back and insulated.

6. Use a 922 Test Card to check that the Reading Head is working and then fit the front cover by locating its lugs at the top, then pressing the bottom until it snaps into place.

<p>In order to reduce paper waste we do not ship a handbook with this product. You can download a copy of this or any other handbook from our website: http://www.bewator.co.uk</p>
--