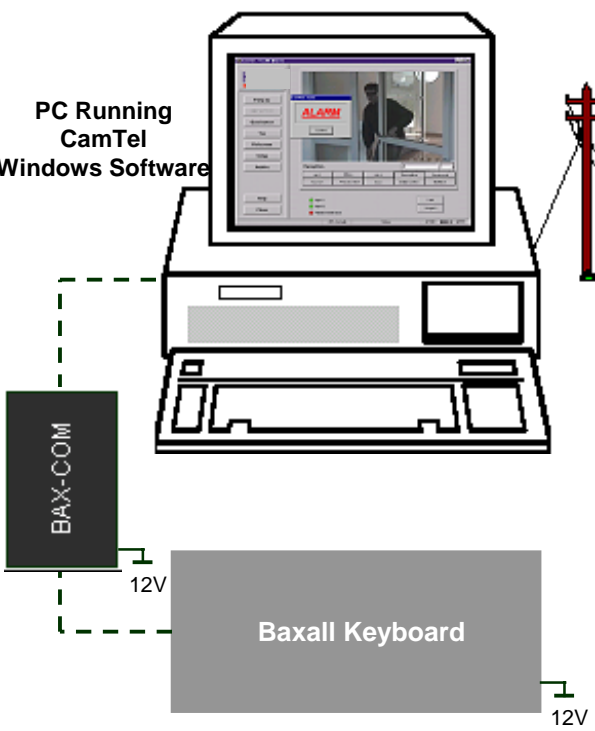


# Baxall Keyboard Interface

## Central station telemetry control via "Baxall NPX/RKB/J Keyboard"

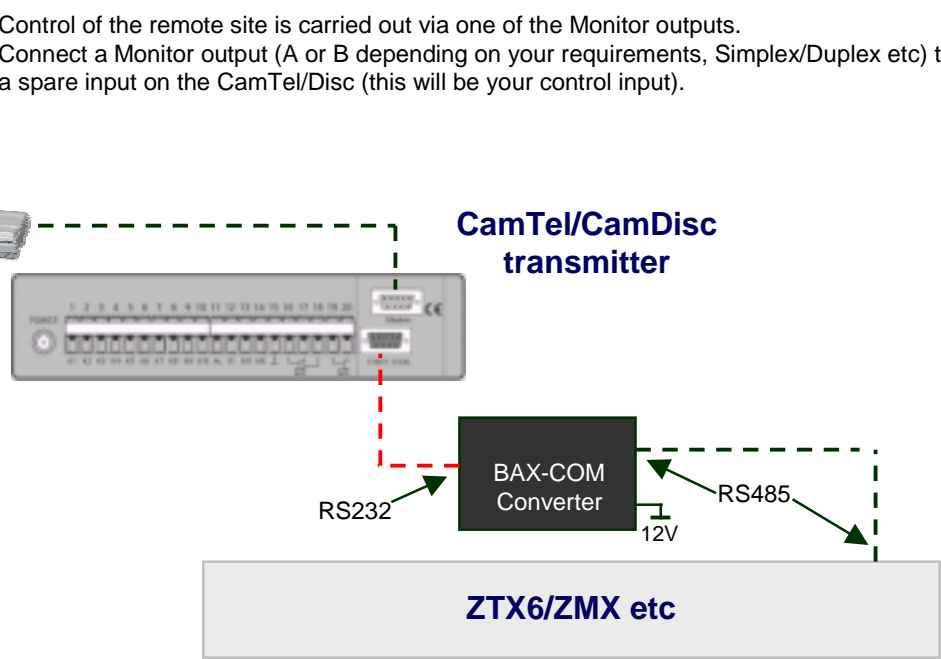


### CamTel/Disc to BAX-COM Wiring

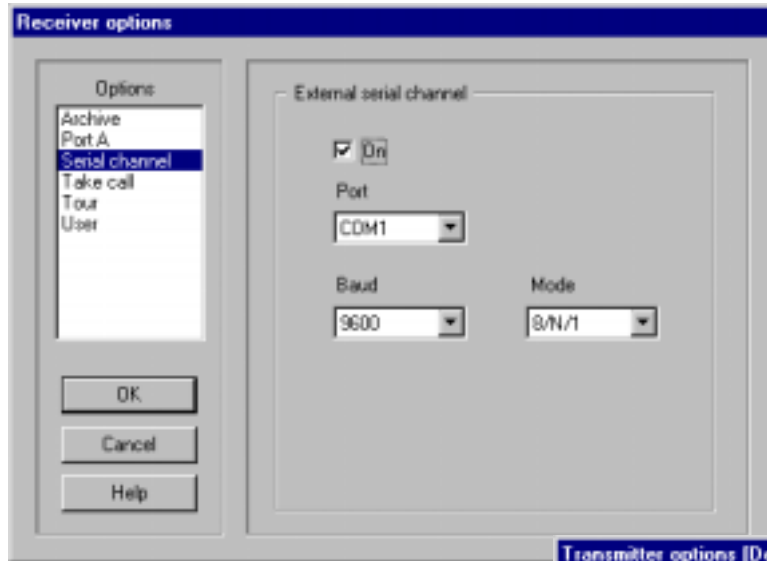
Telemetry control at the camera end (if required) is provided using the Baxall keyboard. The RS232 connection between the BAX-COM unit and the CamTel or CamDisc uses a simple 3 wire lead shown below.

Com 1/Serial SIO		BAX-COM
DB9M		DB9M
5	----- Ground -----	5
2	-----Data to Columbus-----	3
3	-----Data from Columbus-----	2
4-6	linked (DTR/DSR)	
7-8	linked (RTS/CTS)	

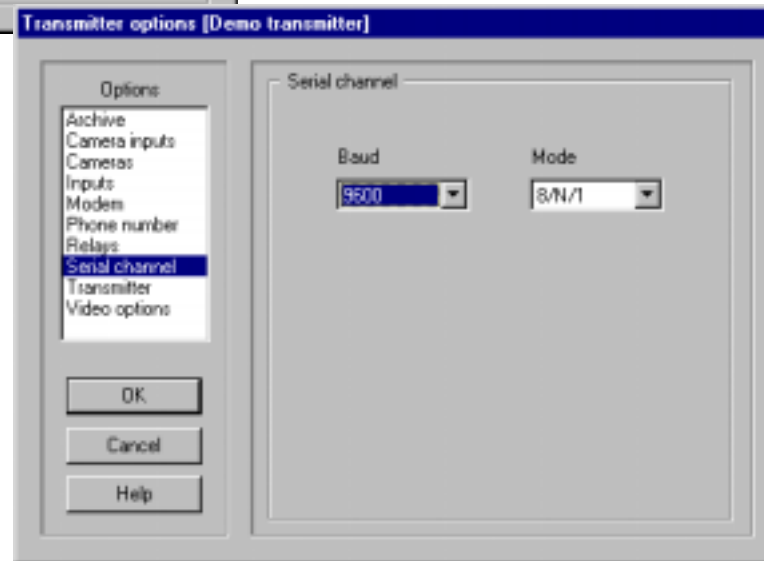
Control of the remote site is carried out via one of the Monitor outputs. Connect a Monitor output (A or B depending on your requirements, Simplex/Duplex etc) to a spare input on the CamTel/Disc (this will be your control input).



# CamTel/Disc Software Set-up



PC Settings

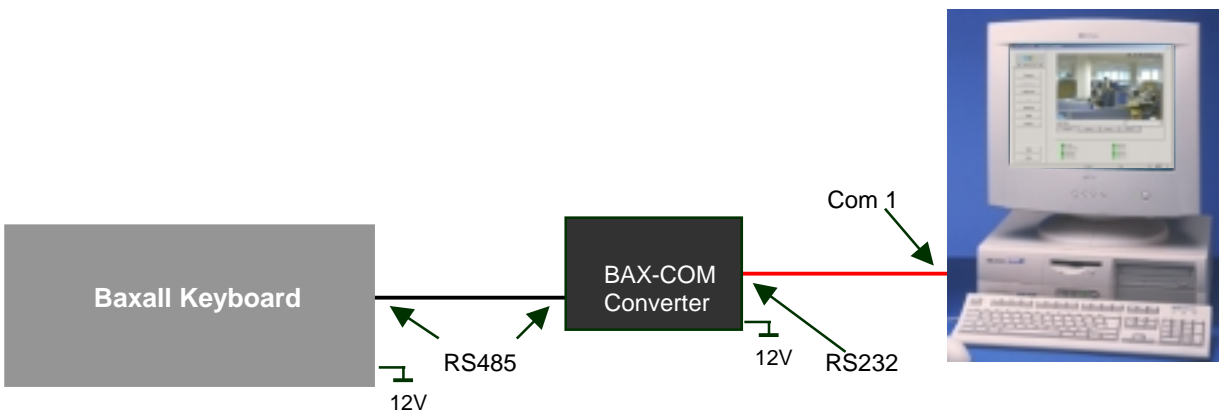


## Configuration Notes

1. Enter the CamTel Windows Software Setup/Receiver options/Serial channel.
2. Tick the “**On**” box to activate the “Transparent serial channel”.
3. Select **Com 1** in the “Port” box. This is the port the Baxall keyboard will connect to (via a BAX-COM unit).
4. Make sure the “Baud” rate is set to **9600** and the “Mode” is set to **8/N/1**.
5. Dial-up the transmitter and ensure that in Setup/Serial channel, the “Baud” rate and “Mode” are set to **9600 8/N/1** as shown opposite.

## Transmitter Settings

# Keyboard Wiring & Configuration



## Configuration Notes

1. This set up requires the use of one spare Com port on your CamTel PC.
2. Set-up the CamTel Windows Software and your transmitter as detailed on the previous page.
3. Make a lead exactly as shown below and connect it to the BAX-COM RS232 port and the other end to **Com port 1** on the PC.
4. Connect the Baxall Keyboard's RS485 lead to the BAX-COM RS485 socket.
5. Connect a PSU to the keyboard (a BAX-NAP will be required).
6. Ensure the keyboard baud rate is set to 9600 (the speed is displayed shortly after powering up the keyboard).

### PC to BAX-COM wiring - - - - -

Com 1 (PC) DB9F		BAX-COM DB9M
5 - - - - -	Ground - - - - -	5
2 - - - - -	-Data from Keyboard - - - - -	2
3 - - - - -	-Data to Keyboard - - - - -	3
4-6 linked (DTR/DSR)		
7-8 linked (RTS/CTS)		